

JBC

www.jbctools.com

INSTRUCTION MANUAL



PHXLE

Preheater for PCBs
up to 51x61cm/20x24"

This manual corresponds to the following references:

PHXLE-1A (120V)

PHXLE-2A (230V)

PHXLE-9A (100V)

Packing List

The following items are included:



Preheater Unit for PCBs
up to 51x61 cm / 20x24"..... 1 unit



Console 1 unit
Ref. ACE-A



Kapton Tape 1 unit
Ref. PH217



Thermocouple 3 units
Ref. PH218



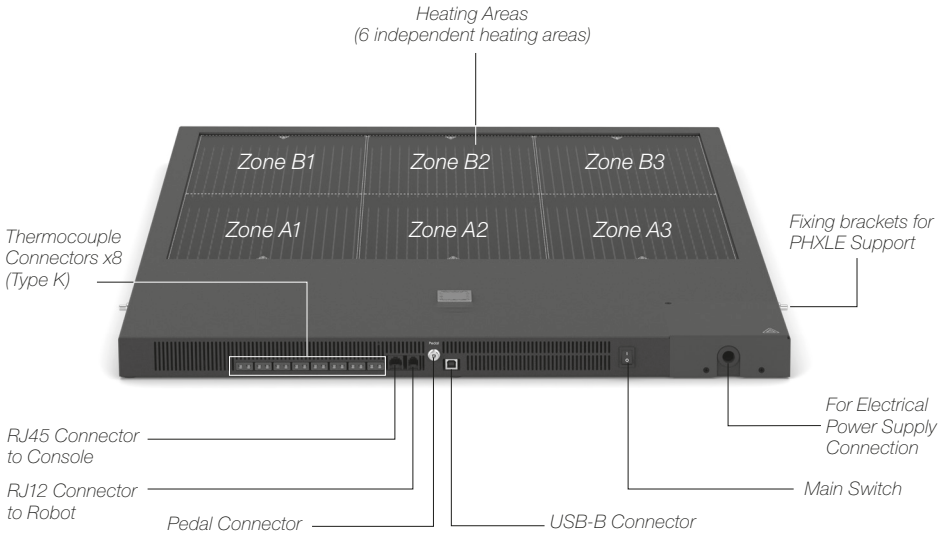
RJ45 Cable 1 unit
Ref. 0019914



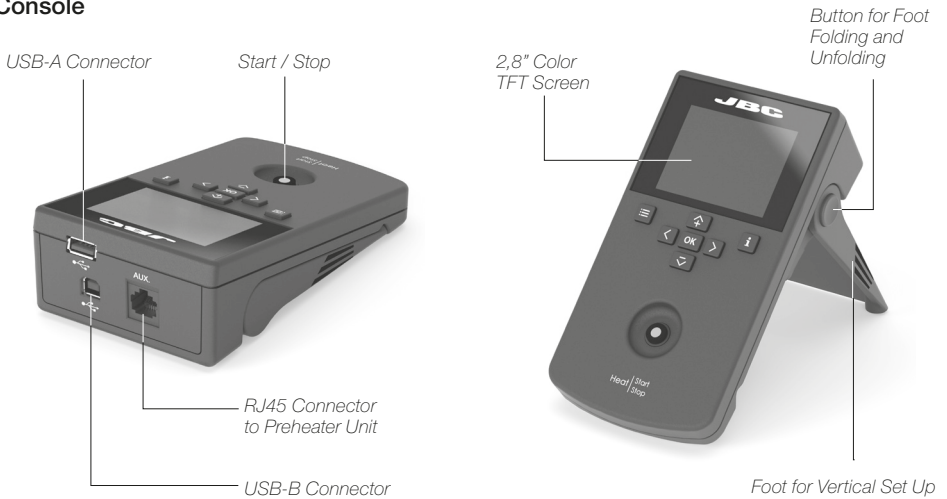
Manual 1 unit
Ref. 0029231

Features and Connections

Preheater Unit



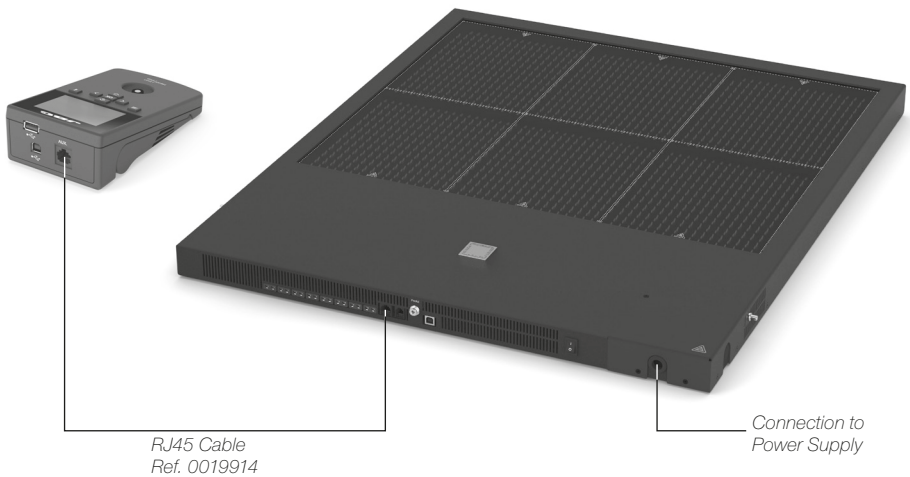
Console



Placement Instructions

⚠ The equipment must be installed on a flat surface without any deformation. An uneven surface, either caused by its own weight or by the weight of the preheater or support, can lead to damage to the equipment.

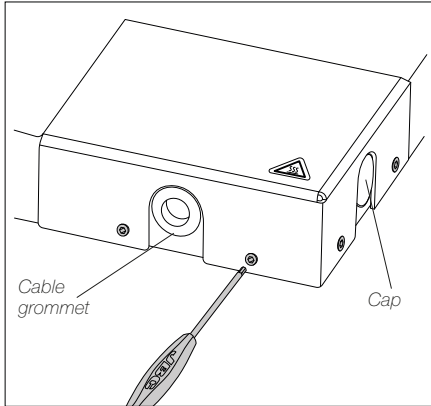
Connection to Power Supply



PHXLE can be connected to single-phase or three-phase networks. A power supply cable is required. Use the following table to determine the cable size and connection:

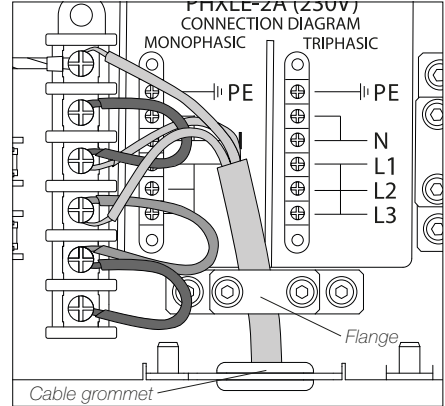
Ref.	Peak Current		Cable Connection Wire Section	
	Single-phase	Three-phase	Single-phase	Three-phase
PHXLE-9A (100 V) PHXLE-1A (120 V)	60 A	20 A	10 mm ²	2.5 mm ²
PHXLE-2A (230 V)	30 A	10 A	4 mm ²	1 mm ²

To connect your power supply cable to the Heater Unit do as follows:



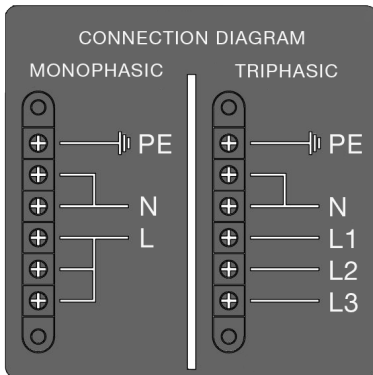
1. Unscrew the four screws and remove the cover. The cable can be inserted through the front or the side part of the Preheater Unit, all you have to do is replace the cap with the cable grommet.

Tool required: 2mm (0.079 in) hexagon wrench.



2. Insert the power cable through the cable grommet and the flange and fix it with the Allen screws.

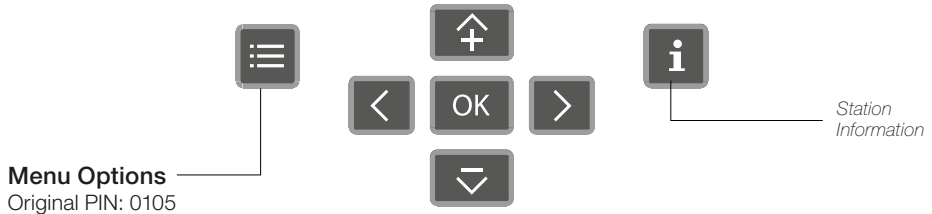
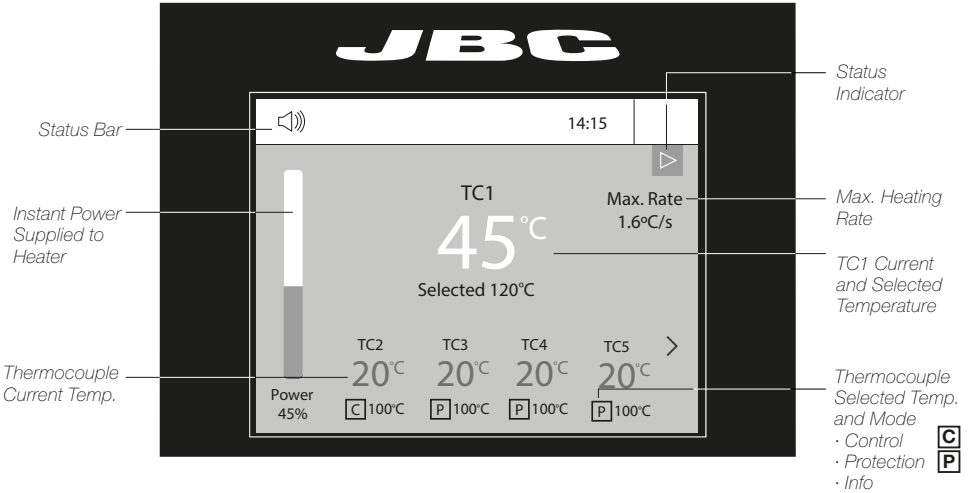
(Image shows monophasic connection).



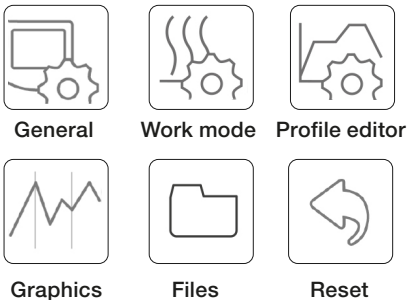
3. Connect the power cable and the jumpers with the connection pad as shown at the scheme and reassemble the cover.

Work Display

The console offers an intuitive user interface, which provides quick access to station parameters.



Menu Options
Original PIN: 0105



Available languages: English, Spanish, German, French, Italian, Portuguese, Japanese, Chinese, Russian and Korean.

Troubleshooting

Station troubleshooting is available on the product page at www.jbctools.com

System Notifications (Status Bar)

- USB flash drive is connected.
- Station is controlled by a PC.
- Station is controlled by a robot.
- Station software update. Press INFO to start the process.
- Warning. Press INFO for failure description.
- Error. Press INFO for failure description, the type of error and how to proceed.

Setting Thermocouples Function

Select *Thermocouples* from the *Work mode* menu to set them up.

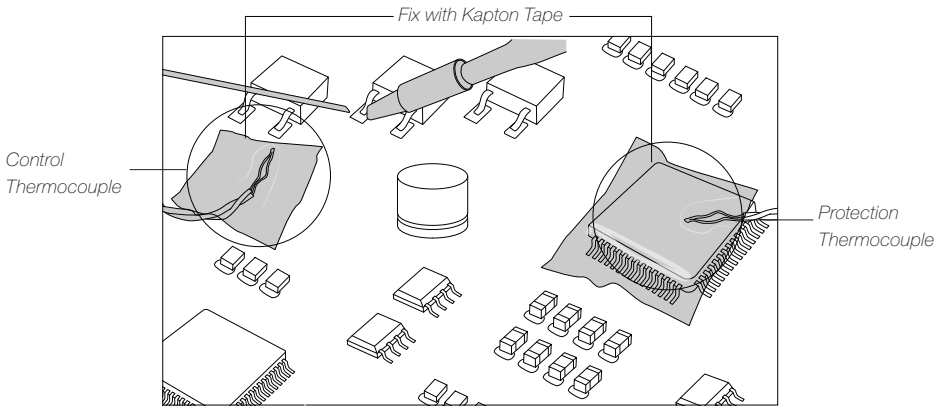
The thermocouples (TC) can work in three different ways depending on what is needed.

- C** · Control: the unit maintains the selected temperature.
- P** · Protection: the Heater Unit stops if the TC reaches the selected temperature.
- Info: the TC temperature is shown on the work display.

The TC1 is always working in Control mode for the *Temperature* mode as well as for *Profiles* mode.
The temperature of each TC can also be selected from the work display.

Recommended Guidelines

1. Place the control thermocouple as near as possible to the component being worked on.
2. If there are any sensitive components, use a thermocouple as protection.
You can select the protection temperature in the *thermocouples* menu. If the selected temperature is reached, the Heater Unit will stop the process and a warning message will be shown.

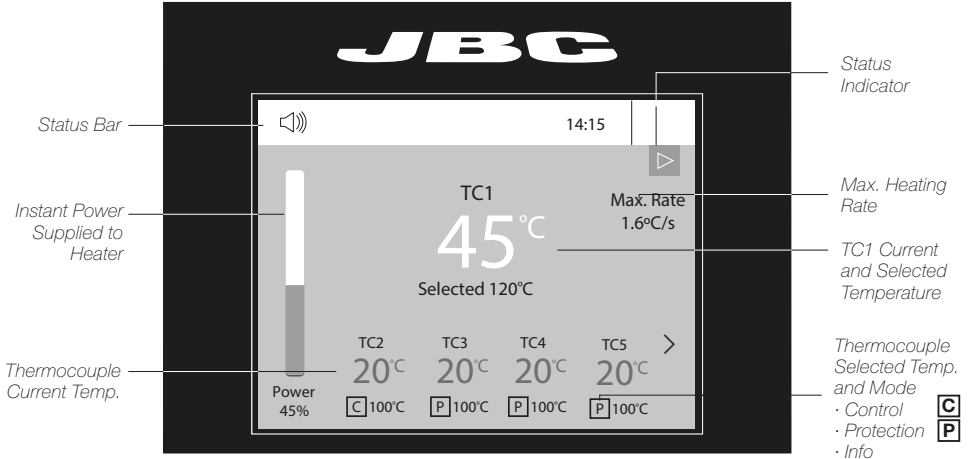


3. We don't recommend exceeding ramp-up rates over 3 - 4 °C / sec (5 - 7 °F / sec) so as to reduce the risk of thermal stress on the PCB.

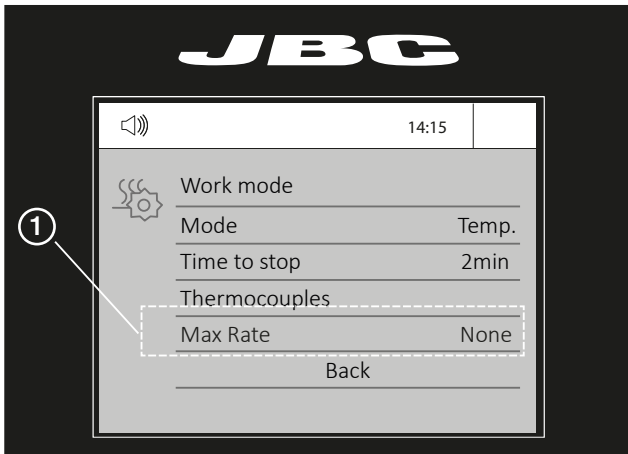
Work Mode

Temperature Mode:

Select *Temp. mode* from the *Work mode* menu. In this mode, the heater unit maintains the selected temperature for the TC1 thermocouple as long as the other TC's do not reach the control/protection temperature limit.

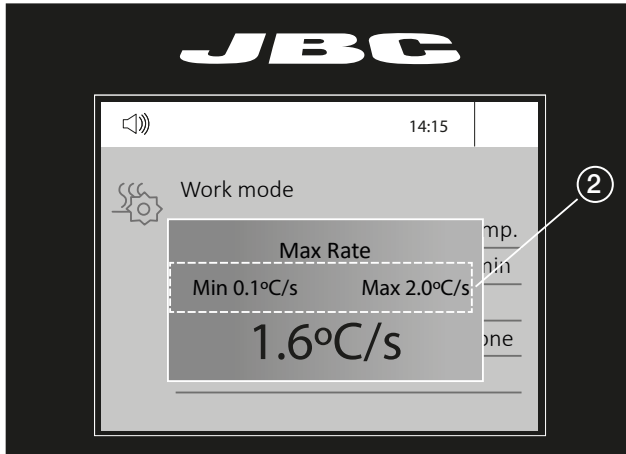


Working within the Temperature Mode the maximum heating rate value (*Max Rate*) can be defined (1).



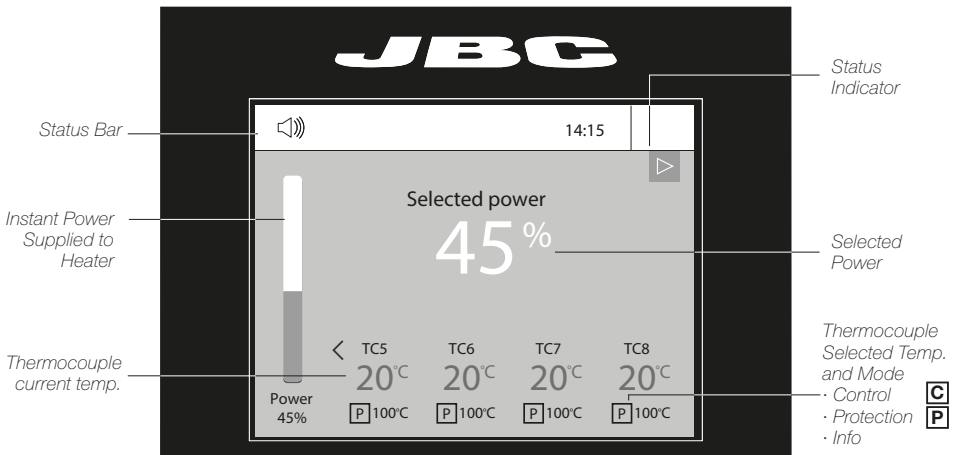
This function allows you to set a maximum value for the temperature increase per second when heating.

The maximum heating rate value can be set between 0.1°C/s and 2.0°C/s (2) or “None” if this function is not desired.



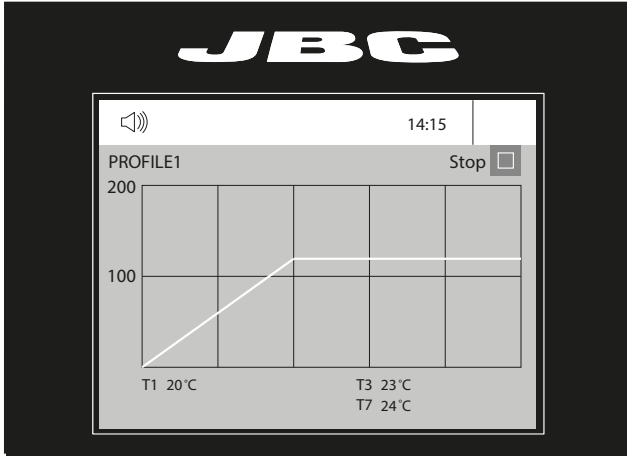
Power Mode:

Select *Power mode* from the *Work mode* menu. In this mode, the heater unit maintains the selected power as long as the thermocouples do not reach the control/protection temperature limit.



Profile Modes

Select *Profile Mode* from the *Work Mode* Menu. In this mode the heater unit regulates the temperature of the TC1 thermocouple according to the selected profile as long as the other TCs do not reach the control/protection temperature limit.



Teach Profile

For repetitive jobs it is also possible to run customized profiles without the thermocouple (TC). In order to do so, the *Teach profile* mode has to be executed before running any profile. It can be executed from the *Work mode* menu if the *Profiles* mode is selected. The first time, the thermocouple must be connected. Once the profile has been run to the end, the system has all the process data which you can save.

Once it is saved, you can run this profile without connecting the thermocouple (TC). The heating process will be the same as long as the same working conditions are respected.

The profiles which already have the data from the *Teach profile* are marked with this symbol 

These profiles can be run either with or without the Thermocouples. It can be chosen from the *Profiles* mode work screen:



Profile Editor



Profile Editor

The *Profile editor* can be opened from the main menu or from the *Profiles* mode work screen by pressing the 'OK' button.

In this mode, the user can choose between the 3 JBC-preset profiles, or create and save up to 22 new profiles.

Profile Name

Data for these Points

Menu Options

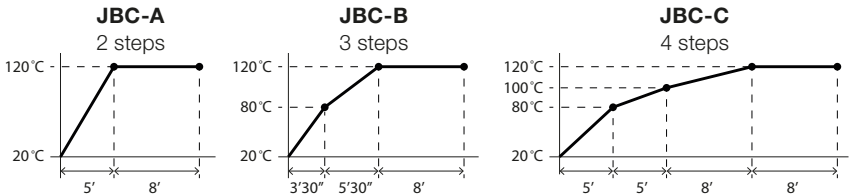
- Add Point
- Delete Point
- Load Profile
- Save Profile
- Exit

JBC Predefined Profiles

There are 3 profiles predefined by JBC: A, B and C. The difference between them is the number of steps: 2, 3 or 4. The thicker your PCB is and the more layers it contains, the more steps are needed to obtain gradual warming.

Predefined profiles use the low position of the Support.

These profiles are not modifiable but they can be used as templates to create your own profiles.



Profiles set using the low position of the PHXL-SA Support (28 mm in height between the PCB and the heating area).

Reference-PCB specifications: FR4 1,6mm thick and 2 layers.

FR4 1,6mm thick and 6 layers.

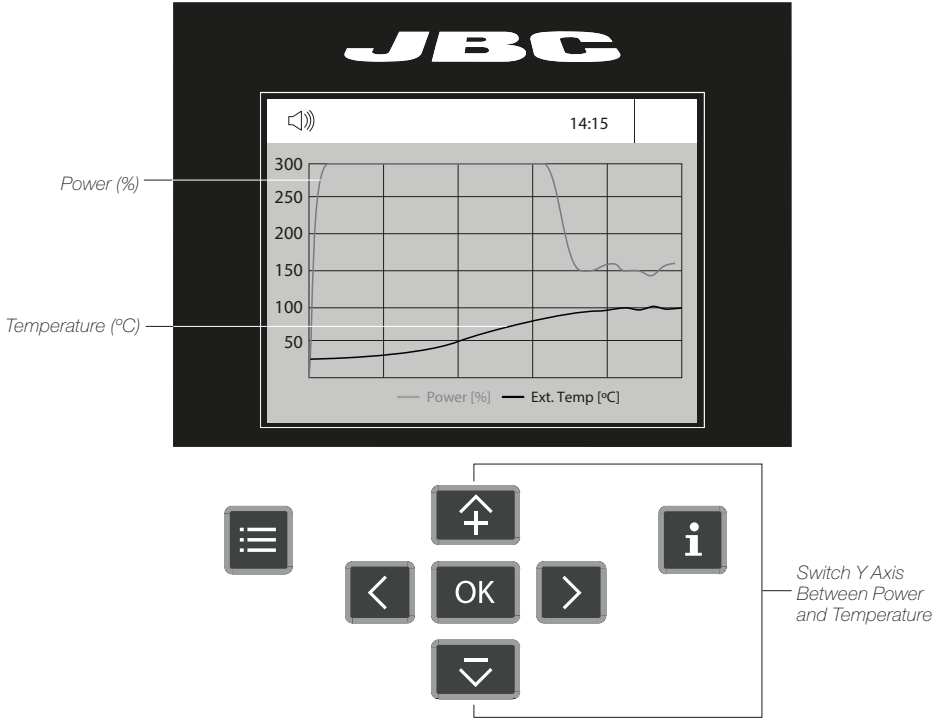
FR4 2,2mm thick and 6 layers.

Process Analysis



Graphics

By pressing **Graphics** in the main MENU, the temperature of TC1 thermocouple and power figures in real time are displayed.



System Notifications

The following icons will be displayed on the screen's status bar.



USB flash drive is connected.



Device software update.
Press INFO to start the process.



Device is controlled by a PC.



Warning.
Press INFO for failure description.



Device is controlled by a robot.



Error.
Press INFO for failure description,
the type of error and how to proceed.

Files



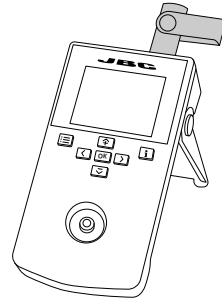
Files

Export Graphics

Insert a USB flash drive into the USB-A connector to save your soldering process in CSV format.


Export / Import Profiles

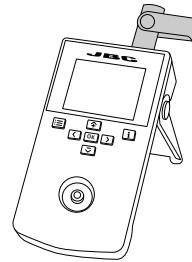
Insert a USB flash drive into the USB-A connector to export/import profiles.



Update the Station Software

1. Download the JBC Update File from www.jbctools.com/software.html and save it on a USB flash drive. (Preferably one with no other files).

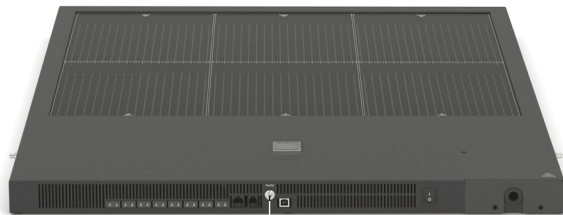
2. Insert the USB flash drive into the console. The icon  is displayed while updating.



Working with Pedal

Press the pedal to start heating and press again to stop as if it were the button on the console. Once the Work Mode is set, the Heater Unit can work without the console using the pedal.

P405
Pedal
(not included)



PHXLE
Preheater Unit

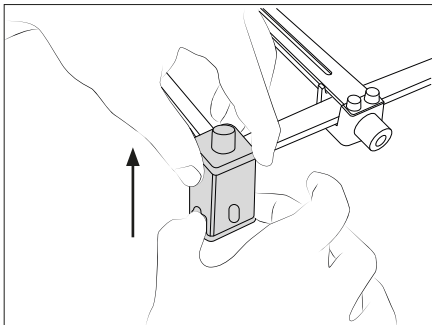
Also Available

JBC's PHXLEK Preheater Set comes with both, PHXLE Preheater and PHXLS Support (the support can be purchased also separately).

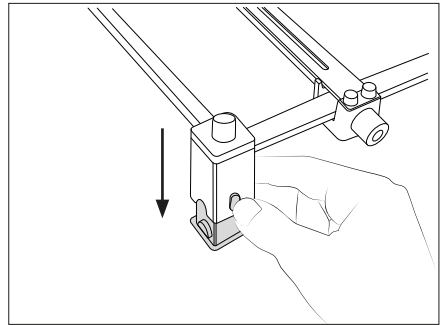
PHXLEK is a complete system for preheating big-sized PCBAs such as communications boards or circuit boards for aircraft construction. The preheater set is ideal for repetitive soldering jobs.



The support allows changing the height between the PCB and the preheater heating area. It is possible to choose between 3 working height positions. To change the position, do as follows:



To raise the support, hold the base and pull up.



To lower the support, press the button and move down.

Maintenance

- Before carrying out maintenance or storage, always allow the equipment to cool down.
- Check periodically that the equipment is clean.
- Use a damp cloth when cleaning. Alcohol can only be used to clean the metal parts.
- Only if it is absolutely necessary and if cleaning with isopropyl alcohol (IPA) is not enough, it is recommended to use a scraper to remove dirt in the glass area.
- Replace any defective or damaged parts. Use original JBC spare parts only.
- Repairs should only be performed by a JBC authorized technical service.

*Clean periodically
the heating area*



Safety



It is imperative to follow safety guidelines to prevent electric shock, injury, fire or explosion.

- Do not use the units for any purpose other than PCB preheating. Incorrect use may cause a fire.
- The mains cable must be plugged into approved bases. Make sure that it is properly grounded before use. When unplugging it, hold the plug, not the wire.
- The temperature of accessible surfaces may remain high after the unit is turned off. Handle with care.
- Do not leave the appliance unattended when it is on.
- Do not cover the ventilation grills. Heat can cause inflammable products to ignite.
- Heat can cause inflammable products to ignite even when out of sight.
- Be careful with the remains of liquid tin. In contact with the skin, it can cause burns.
- Avoid flux coming into contact with skin or eyes to prevent irritation.
- Be careful with the smoke produced when soldering.
- Keep your workplace clean and tidy. Wear appropriate protection glasses and gloves when working to avoid personal harm.
- This appliance can be used by children over the age of eight as well as persons with reduced physical, sensory or mental capabilities or lacking experience provided that they have been given adequate supervision or instruction concerning the use of the appliance and understand the hazards involved. Children must not play with the appliance.
- Maintenance must not be carried out by children unless supervised.

Notes

Specifications

PHXLE

Preheater for PCBs up to 51x61cm/20x24"

Ref.: PHXLE-9A 100 V.	Input 100/200 V. 50/60 Hz.	Fuse T20A.
Ref.: PHXLE-1A 120 V.	Input 120/208 V. 50/60 Hz.	Fuse T20A.
Ref.: PHXLE-2A 230 V.	Input 230/400 V. 50/60 Hz.	Fuse T10A.

- Maximum Power:	5400 W
- Heating Areas (L x W):	6 areas, each 255 x 203 mm / 10.04 x 8.07 in total area 510 x 610 mm / 20.08 x 24.02 in
- Preheater Unit Dimensions (L x W x H):	790 x 664 x 42 mm / 31.10 x 26.14 x 1.65 in
- Ambient Operating Temperature:	10 - 50 °C / 50 - 122 °F
- Temperature Range:	50 - 250 °C / 120 - 482 °F
- Temperature Measurement:	Thermocouple type K
- JBC-Set Temperature Profiles:	3 profiles (2, 3 or 4 steps)
- User Profiles:	22 (up to 6 steps for each)
- Maximum Work Time:	50 min or indefinite
- Total Net Weight:	19.30 kg / 42.55 lb
- Total Package Dimensions / Weight: (L x W x H)	1200 x 800 x 374 mm / 67.00 kg 47.24 x 31.50 x 14.72 in / 147.71 lb

Complies with CE standards.
ESD safe.

JBC

Warranty

JBC's 2 year warranty covers this equipment against all manufacturing defects, including the replacement of defective parts and labor.

Warranty does not cover product wear or misuse.

In order for the warranty to be valid, equipment must be returned, postage paid, to the dealer where it was purchased.

Get 1 extra year JBC warranty by registering here:
<https://www.jbctools.com/productregistration/>
within 30 days of purchase.

If you register, you will receive e-mail notifications about new software updates for your registered product.



This product should not be thrown in the garbage.

In accordance with the European directive 2012/19/EU, electronic equipment at the end of its life must be collected and returned to an authorized recycling facility.

CE EAC UK
CA

www.jbctools.com