

# JBC

[www.jbctools.com](http://www.jbctools.com)

Product  
webpage



## INSTRUCTION MANUAL



### RWT

Adjustable Rework Arm with 2 Axes

This manual corresponds to the following reference:

**RWT-B**

## Packing List

The following items are included:



**Adjustable Rework Arm** ..... 1 unit  
Ref. 0017056



**Hose Clamp\*** ..... 1 unit  
Ref. 0017056



**Height Adjustment Flange\*** ..... 1 unit  
Ref. 0023991



**Adapter for TET** ..... 1 unit  
Ref. 0017059



**Adapter for JTT** ..... 1 unit  
Ref. 0017058



**Flange** ..... 1 unit  
Ref. 0017524



**Flange Screw** ..... 3 units  
Ref. 0017548



**Flange Nut** ..... 3 units  
Ref. 0892422



**Flange Washer** ..... 3 units  
Ref. 0919480



**Headless Screw\*** ..... 1 unit  
Ref. 0017057



**Allen Key 3 mm** ..... 1 unit  
Ref. 0013609



**Manual** ..... 1 unit  
Ref. 0028768

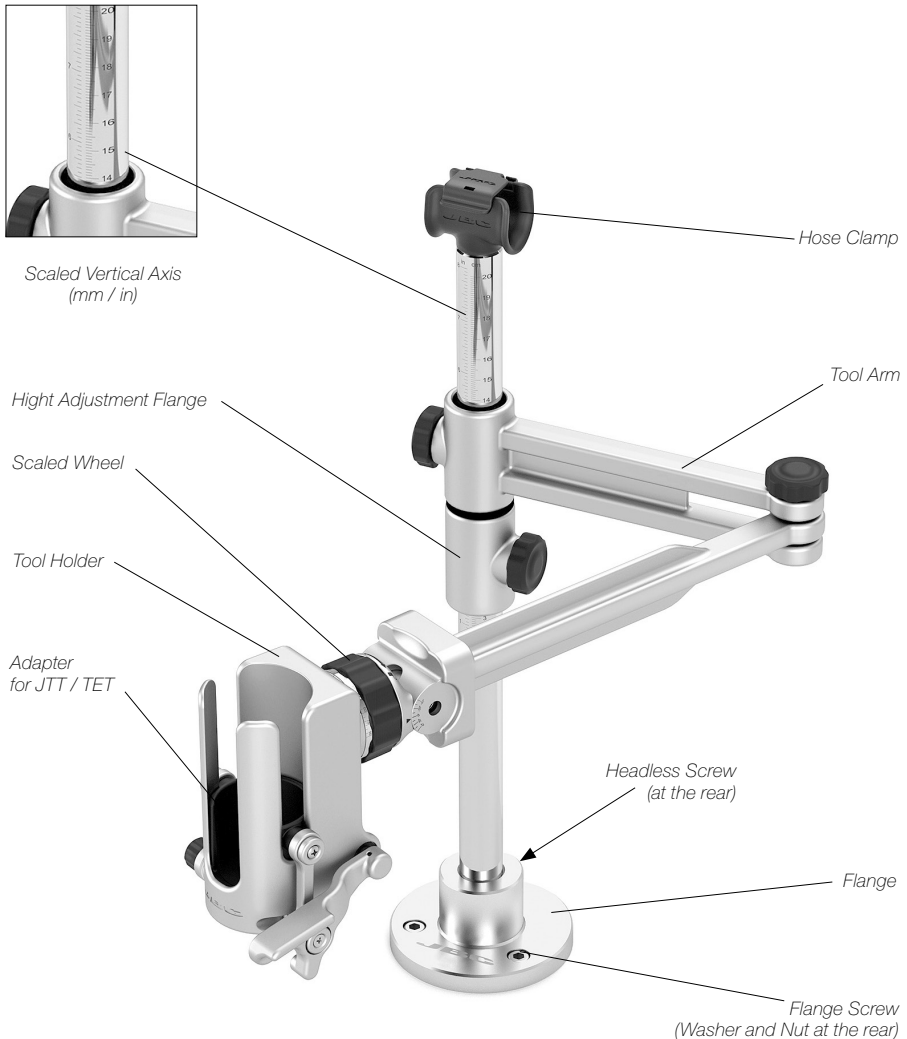
*\* already assembled*

## Features

RWT enables hands-free working with the JBC hot air tools. Both TET Heater Hose Set and JTT Precision Heater Hose Set can be used thanks to the adapters supplied.

Using the flange, screws and nuts RWXLT can be fixed to the workbench.

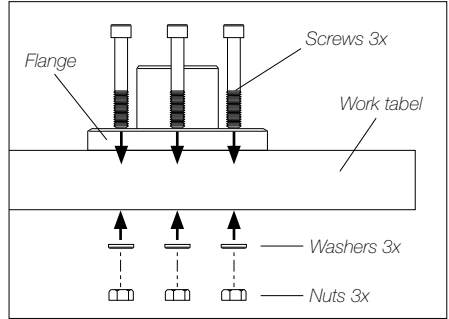
The scaled vertical axis and the scaled wheel allow the working position to be adjusted and fixed, which is an advantage when repeating the same soldering positions.



# Tool Arm Assembly

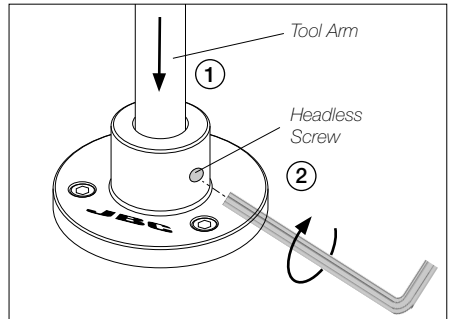
## Flange Assembly

Fix the flange onto the work table with the supplied screws, nuts and washers.



## Setting up the Tool Arm

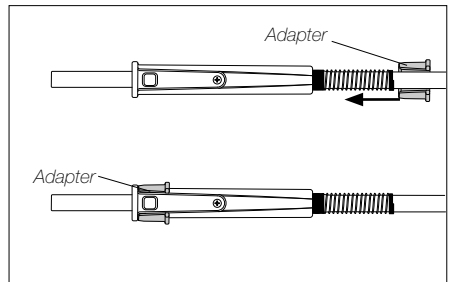
Fit the tool arm into the flange (1) and tighten the headless screw (2) by using the Allen key.



# Heater Hose Assembly

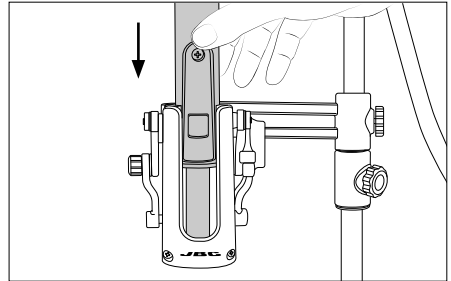
## Inserting the TET/JTT Adapter

Slide the adapter along the hose until the end of the handle.



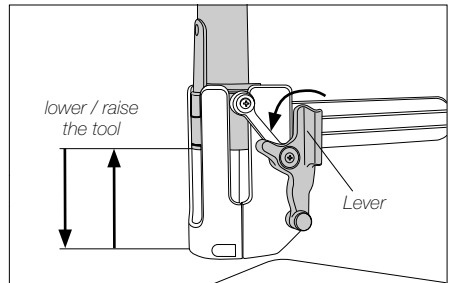
### Fit Heater into Tool Holder

Insert the tool as far as possible into the tool holder with its adapter previously assembled.



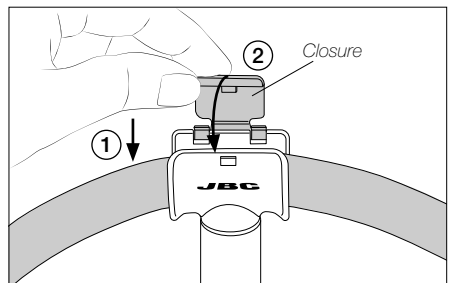
### Lower the Tool

Turn the lever to lower the tool. After having finished the working process raise the tool to free up the workspace.



### Fit Heater Hose to Hose Clamp

Fit the heater hose into the hose clamp (1) and move the closure down (2).

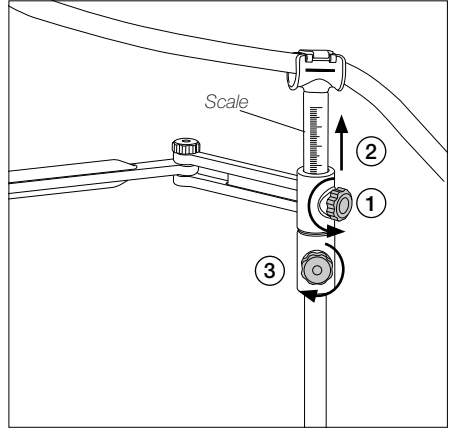


# Tool Arm Height Adjustment

Make sure the tool arm knob is loosened (1) before adjusting the tool holder height.

Slide the tool arm to the appropriate height (2) and secure its position by tightening the height adjustment flange knob (3).

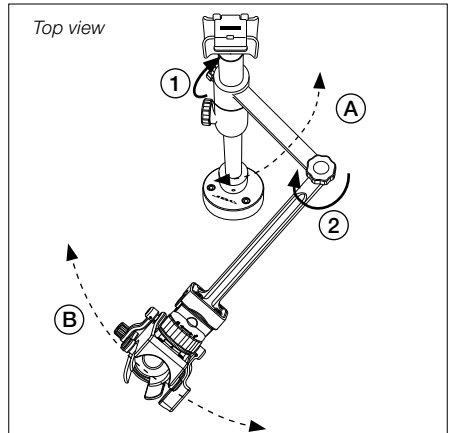
The scale on the vertical axis makes it easy to adjust the system to the desired height.



# Work Position Adjustment

According to the work needs the tool arm allows adjustments for different positions. The articulated arm covers the entire working area.

Position the arm as needed and open or tighten the knobs (1) and (2) to allow or block the movement (A) and (B).

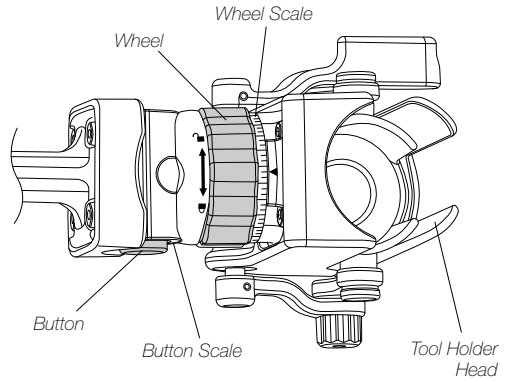


## Tool Holder Adjustment

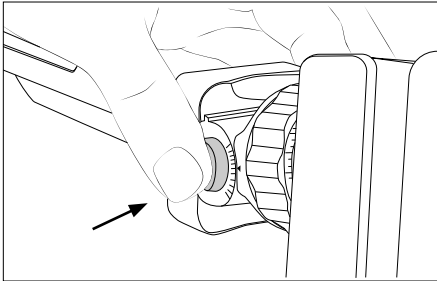
The tool holder head position enables an individual tool position adjustment.

By pressing the button and/or loosening the wheel the tool holder head position can be adjusted.

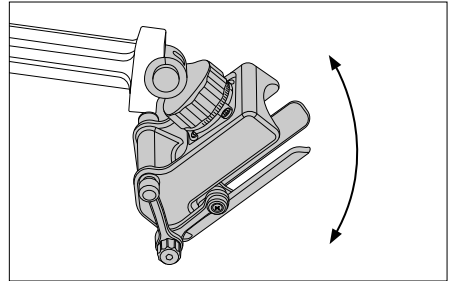
Both axes have a scale to carry out the task with higher precision.



### Tilting movement

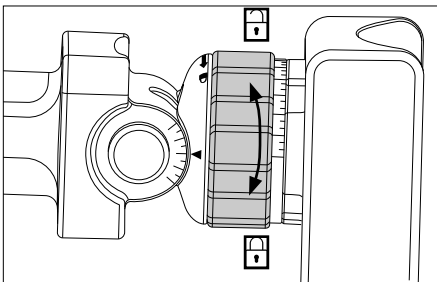


By pressing the button you can rotate the Tool Holder up or down.

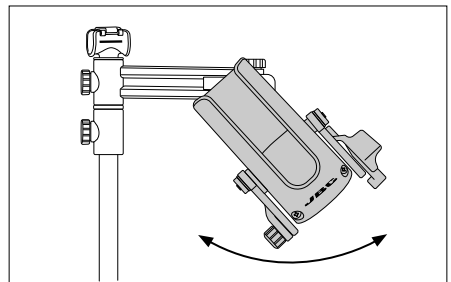


The movement allows a rotation between -40° and +40°.

### Rotating movement



You can lock or unlock the lateral rotation mechanism by turning the fixing wheel a quarter.



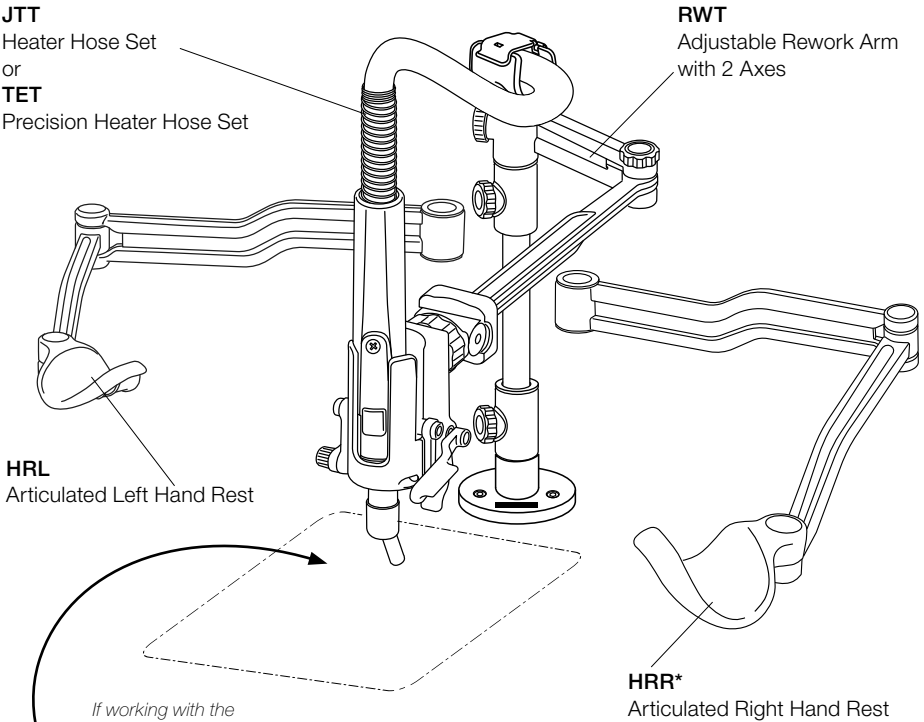
The movement allows a rotation between -90° and +90°.

# Workplace Example

RWT is designed to be used with hot air tools **TET\*** and **JTT\*** and can be combined with:

- **HRR\*** Articulated Right Hand Rest
- **HRL\*** Articulated Left Hand Rest

Two tool adapters for TET and JTT are supplied with RWXLT. Use the appropriate adapter for the respective tool.



*If working with the preheater set, place it in the area below the hot air tool.*



4 different sizes for PCB Supports are available:

- **PHNS\*** Support for PCBs up to 11x7 cm / 4x3"
- **PHSS\*** Support for PCBs up to 13x13 cm / 5x5"
- **PHBS\*** Support for PCBs up to 36x28 cm / 14x11"
- **PHXLS\*** Support for PCBs up to 51x61 cm / 20x24"



## Accessories

### Preheater Sets

JBC offers preheater sets for different PCB sizes.  
The set includes a preheater with its console and PCB support.

#### PHNEK Preheater Set for PCBs up to 11x7cm / 4x3"

- Heating area:  
108 x 70 mm / 4.25 x 2.75 in
- Thermocouple connections: 2x
- Clearance PCB to preheater:  
22, 45 or 65 mm / 0.87, 1.77 or 2.56 in



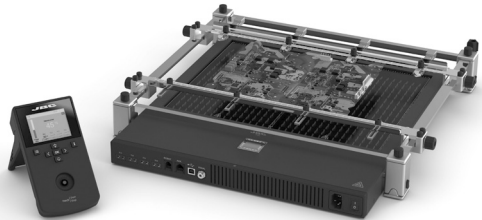
#### PHSEK Preheater Set for PCBs up to 13x13cm / 5x5"

- Heating area:  
130 x 135 mm / 5.12 x 5.31 in
- Thermocouple connections: 4x
- Clearance PCB to preheater:  
22, 45 or 65 mm / 0.87, 1.77 or 2.56 in



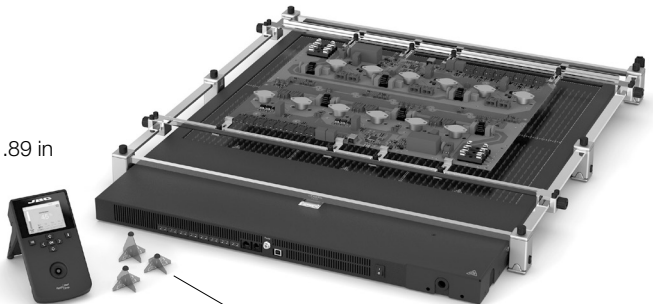
#### PHBEK Preheater Set for PCBs up to 36x28cm / 14x11"

- Heating area:  
360 x 277 mm / 14.2 x 10.9 in
- Thermocouple connections: 4x
- Clearance PCB to preheater:  
28, 38 or 48 mm / 1.10, 1.50 or 1.89 in



#### PHXLEK Preheater Set for PCBs up to 51x61cm / 20x24"

- Heating area:  
510 x 610 mm / 20.07 x 24 in
- 6 independent work zones, each:  
255 x 203 mm / 10.04 x 8 in
- Thermocouple connections: 8x
- Clearance PCB to preheater:  
28, 38 or 48 mm / 1.10, 1.50 or 1.89 in



*Metallic supports included*

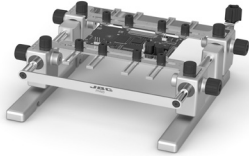
# Accessories

## PCB Supports

JBC offers PCB supports for different PCB sizes.

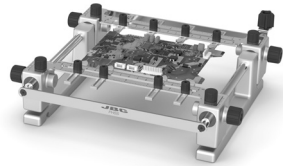
### PHNS Support for PCBs up to 11x7cm / 4x3"

- Clearance PCB to preheater:  
22, 45 or 65 mm / 0.87, 1.77 or 2.56 in



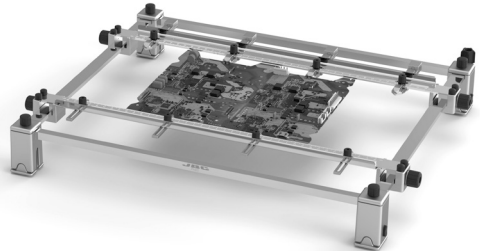
### PHSS Support for PCBs up to 13x13cm / 5x5"

- Clearance PCB to preheater:  
22, 45 or 65 mm / 0.87, 1.77 or 2.56 in



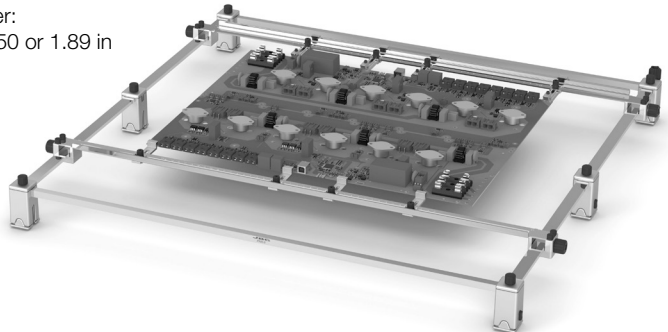
### PHBS Support for PCBs up to 36x28cm / 14x11"

- Clearance PCB to preheater:  
28, 38 or 48 mm / 1.10, 1.50 or 1.89 in



### PHXLS Support for PCBs up to 51x61cm / 20x24"

- Clearance PCB to preheater:  
28, 38 or 48 mm / 1.10, 1.50 or 1.89 in



## Maintenance

- Check periodically that RWT is clean, especially the sliding parts and the axis.
- Use a damp cloth when cleaning. Alcohol can only be used to clean the metal parts.
- Replace any defective or damaged parts. Use original JBC spare parts only.
- Repairs should only be performed by a JBC authorized technical service.



## Safety



**It is imperative to follow safety guidelines to prevent electric shock, injury, fire or explosions.**

- Do not use the equipment for any purpose other than PCB rework. Incorrect use may cause a fire.
- The temperature of accessible surfaces may remain high after the unit is turned off. Handle with care.
- Be careful with the fumes produced when soldering.
- Keep your workplace clean and tidy. Wear appropriate protection glasses and gloves when working to avoid personal harm.
- Utmost care must be taken with liquid tin waste which can cause burns.
- This appliance can be used by children over the age of eight as well as persons with reduced physical, sensory or mental capabilities or lacking experience provided that they have been given adequate supervision or instruction concerning the use of the appliance and understand the hazards involved. Children must not play with the appliance.
- Maintenance must not be carried out by children unless supervised.

# Specifications

## **RWT**

### **Adjustable Rework Arm with 2 Axes**

Ref. **RWT-B**

- Arm Height: 381.5 mm / 15.02 in
- Arm Length: 436.5 mm / 17.19 in
- Total Net Weight: 2.79 kg / 6.15 lb
  
- Package Dimension / Weight: 474 x 368 x 195 mm / 4.45 kg  
(L x W x H) 18.66 x 14.49 x 7.68 in / 9.81 lb

Complies with CE standards  
ESD Safe

# **JBC**

## **Warranty**

JBC's 2 year warranty covers this equipment against all manufacturing defects, including the replacement of defective parts and labor.

Warranty does not cover product wear or misuse.

In order for the warranty to be valid, equipment must be returned, postage paid, to the dealer where it was purchased.



This product should not be thrown in the garbage.

In accordance with the European directive 2012/19/EU, electronic equipment at the end of its life must be collected and returned to an authorized recycling facility.



[www.jbctools.com](http://www.jbctools.com)

0028768-310125