

JBC

www.jbctools.com

INSTRUCTION MANUAL



**H4035, H5382, H5450,
H6227, H6267, H6268,
H6269, H6272, H6273,
H6274, H6275, H6276,
H8036, H8410, H8411,
H8634**

Tool Holder for Stand

This manual corresponds to the following references*:

0034035 H4035 for ALES

0035382 H5382 for DSS

0015450 H5450 for ADS & HDS

0016227 H6227 for TES

0016267 H6267 for APS

0016268 H6268 for AMS

0016269 H6269 for HTS & HDTS

0016272 H6272 for DSS

0016273 H6273 for DRS

0016274 H6274 for DNS

0016275 H6275 for ALS & ALES

0016276 H6276 for JTS

0028036 H8036 for ATS

0028410 H8410 for NAS

0028411 H8411 for WSBT

0018634 H8634 for SFS

Packing List

The following items are included:



Tool Holder 1 unit

**according to purchased
reference*



Manual 1 unit

Ref. 0028444

Replacement



Before carrying out maintenance, always unplug the tool. Allow the equipment to cool down. Be sure that the power supply is disconnected before changing any spare parts.

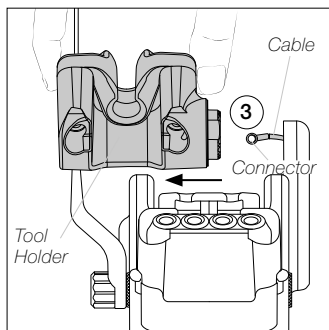
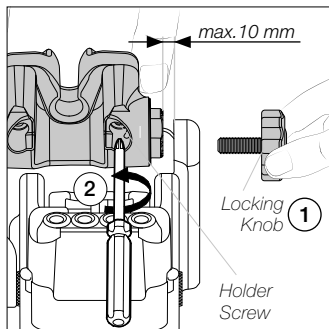
Changing the Tool Holder

Remove the locking knob (1).

Slightly separate the tool holder from the stand (max. 10 mm) and remove the holder screw (2).

Carefully move the tool holder sideways until the cable* comes out (3). If necessary, use a flat screwdriver to help the connector pass through the side hole. \triangle Any force exerted for extraction must be applied on the connector, never on the cable.

Place the new tool holder following the disassembling steps conversely.



**The following references come without cable connection:*

- Ref. 0018634 SSFS for SFS
- Ref. 0028411 SWSBT for WSBT

Specifications

H4035, H5382, H5450, H6227, H6267, H6268, H6269, H6272, H6273, H6274, H6275, H6276, H8036, H8410, H8411, H8634
Tool Holder for Stand

Ref.: see page 2

- Package Dimensions: 111 x 81 x 41 mm
(L x W x H) 4.37 x 3.19 x 1.61 in

Complies with CE standards
ESD Safe

JBC

Warranty

JBC's 2 year warranty covers this equipment against all manufacturing defects, including the replacement of defective parts and labour.

Warranty does not cover product wear or misuse.

In order for the warranty to be valid, equipment must be returned, postage paid, to the dealer where it was purchased.



This product should not be thrown in the garbage.

In accordance with the European directive 2012/19/EU, electronic equipment at the end of its life must be collected and returned to an authorized recycling facility.



www.jbctools.com